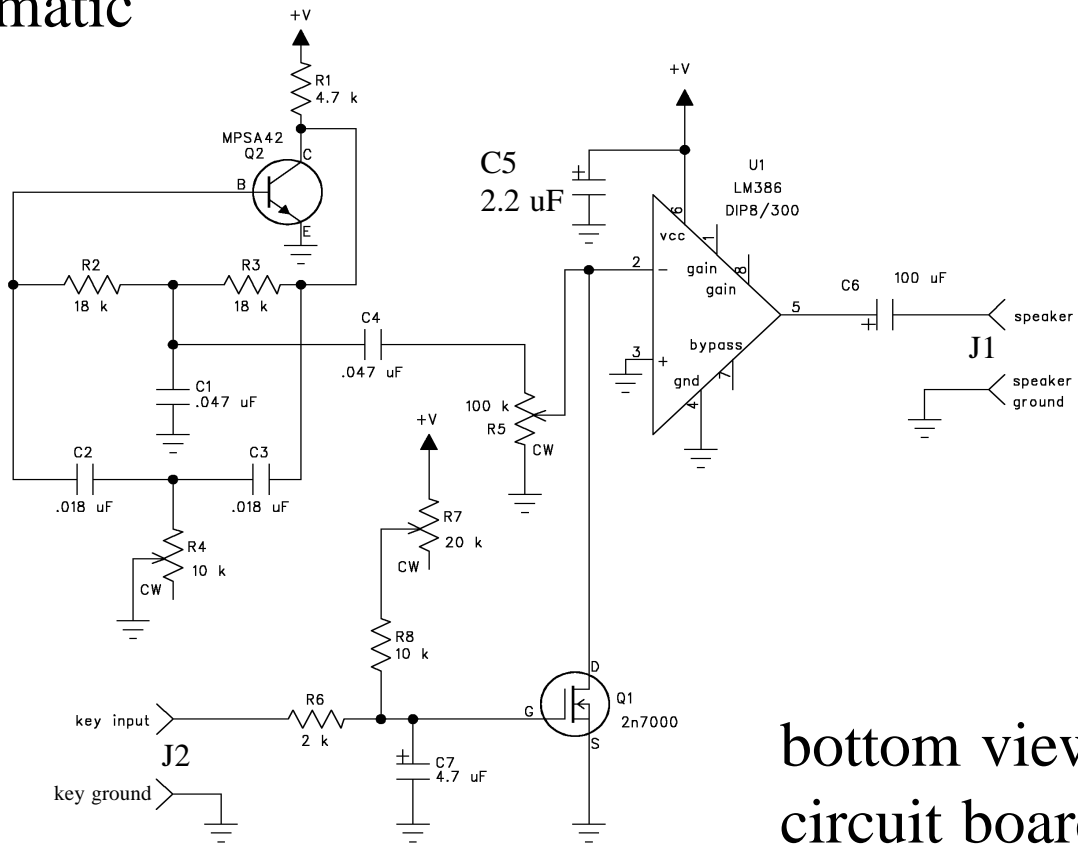


# Shaped CPO Kit Schematic

Jackson Harbor Press  
 jacksonharbor@att.net  
<http://jacksonharbor.home.att.net>



bottom view  
 circuit board

Parts Placement diagram  
 top view  
 circuit board

