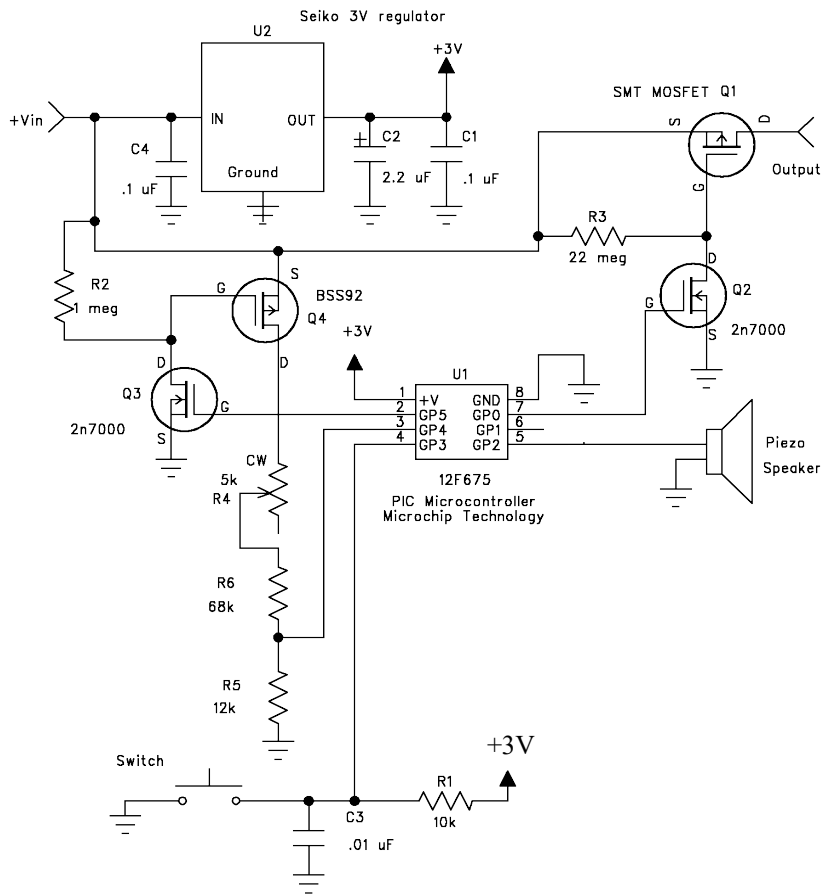


# DC Beeper

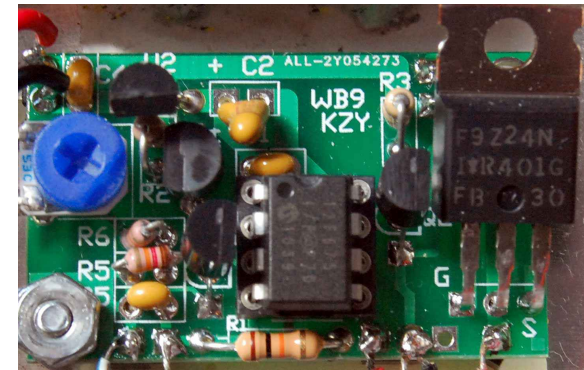
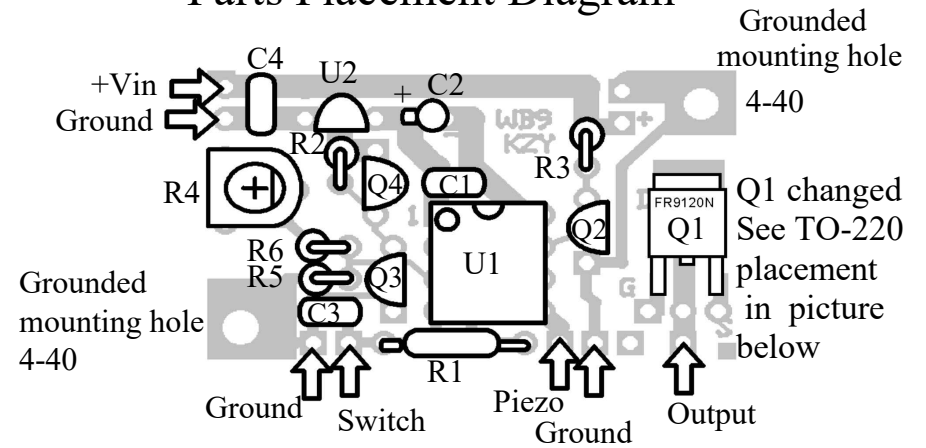
Jackson Harbor Press  
<http://wb9kzy.com>  
wb9kzy@wb9kzy.com

## Schematic



## Circuit Board Top View

## Parts Placement Diagram



## Circuit Board Bottom View

