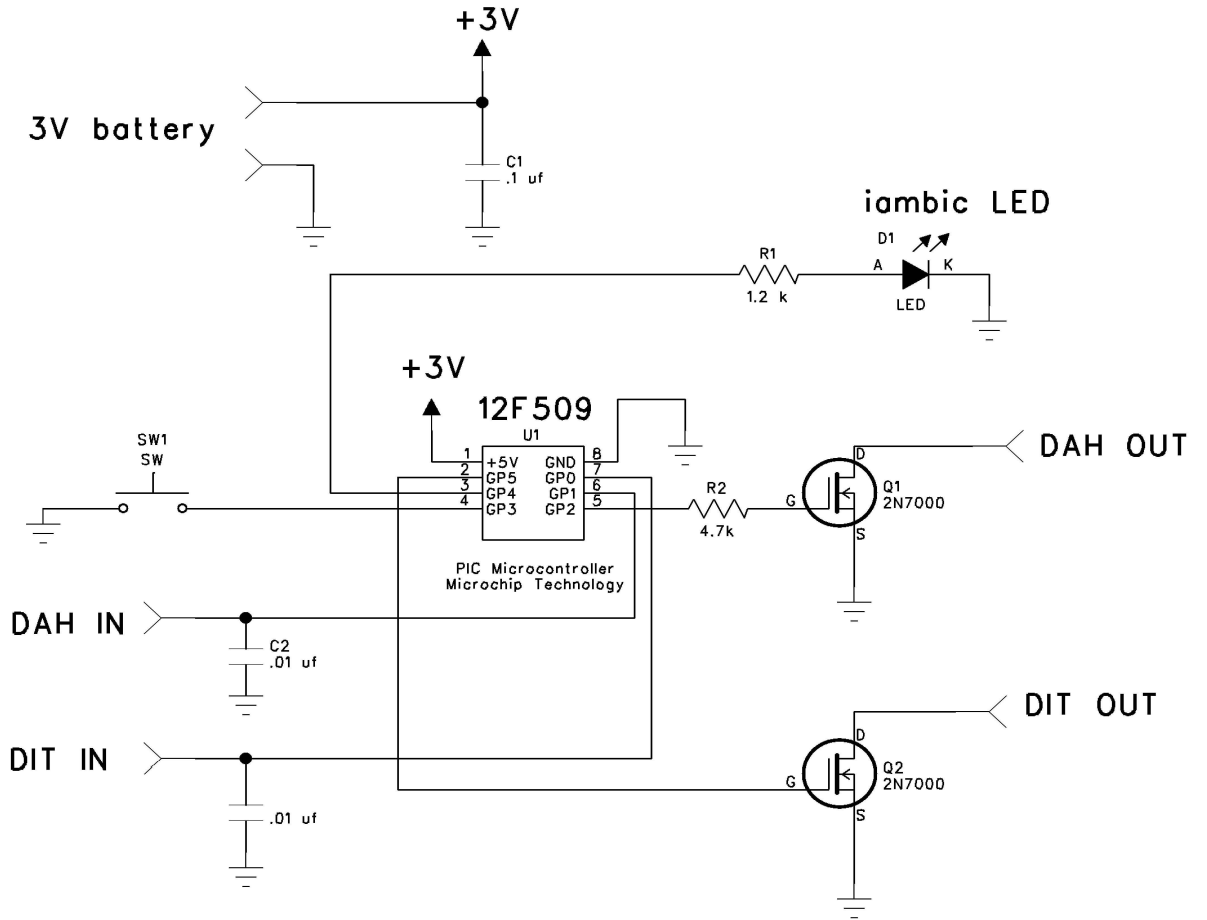


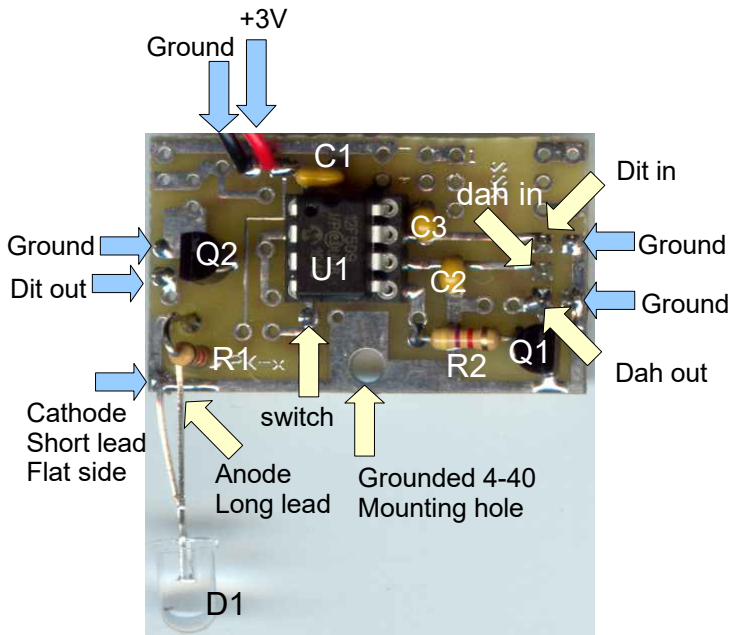
# Iambic to Single paddle converter kit

Jackson Harbor Press  
 Washington Island, WI 54246  
<http://wb9kzy.com>  
[wb9kzy@wb9kzy.com](mailto:wb9kzy@wb9kzy.com)

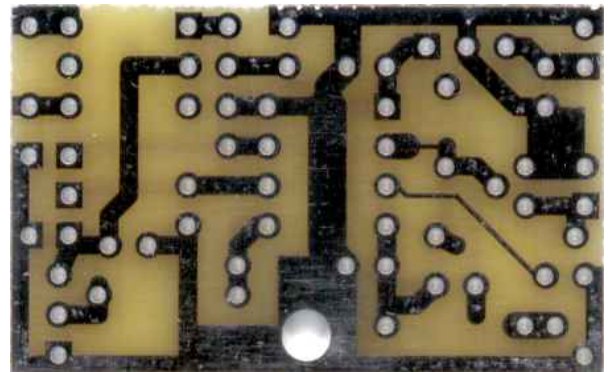
## Schematic



## Circuit Board Top View – Parts Placement Diagram



## Circuit Board Bottom View



Copyright © 2021 by Charles J. Olson