

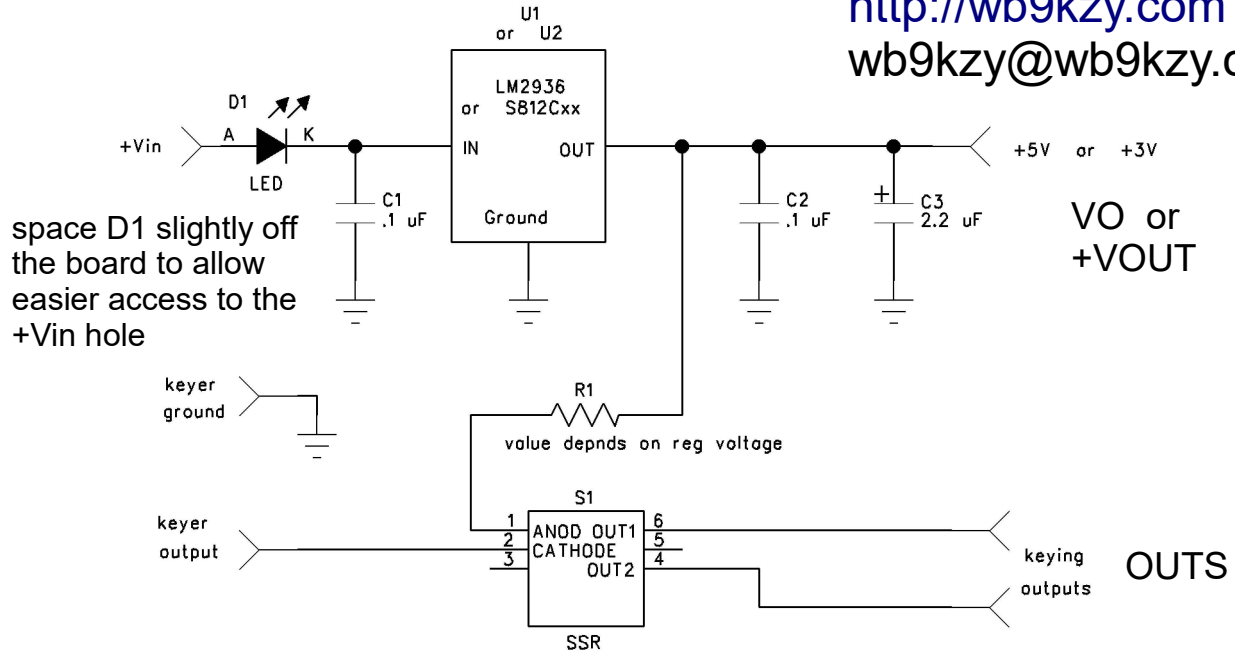
# Keyer Accessory Kit

Keyer Accessory Kit Schematic

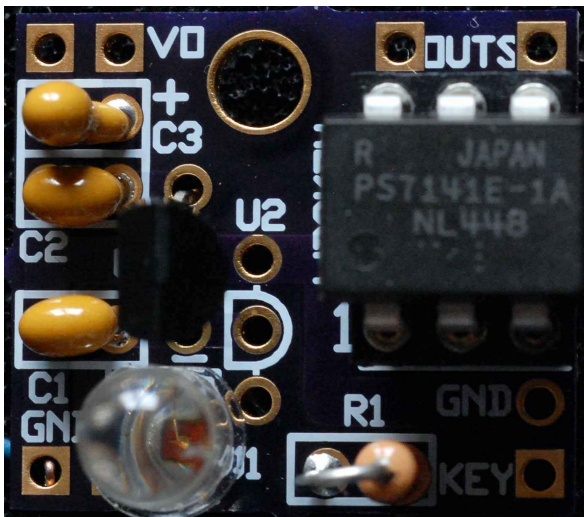
Jackson Harbor Press

<http://wb9kzy.com>

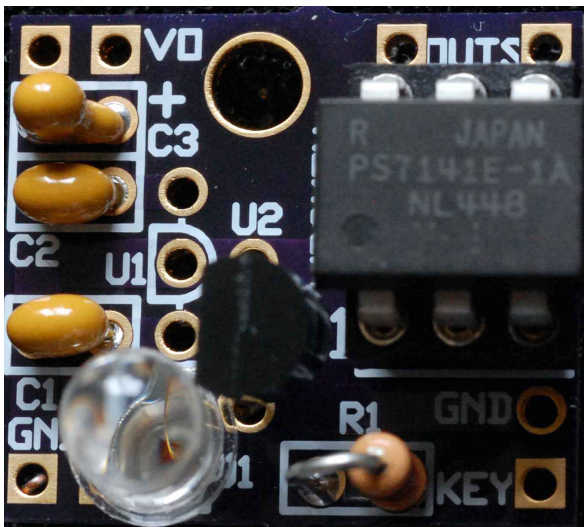
wb9kzy@wb9kzy.com



## Top board photos



U1 placement



U2 Placement

## Top, bottom view bare boards

