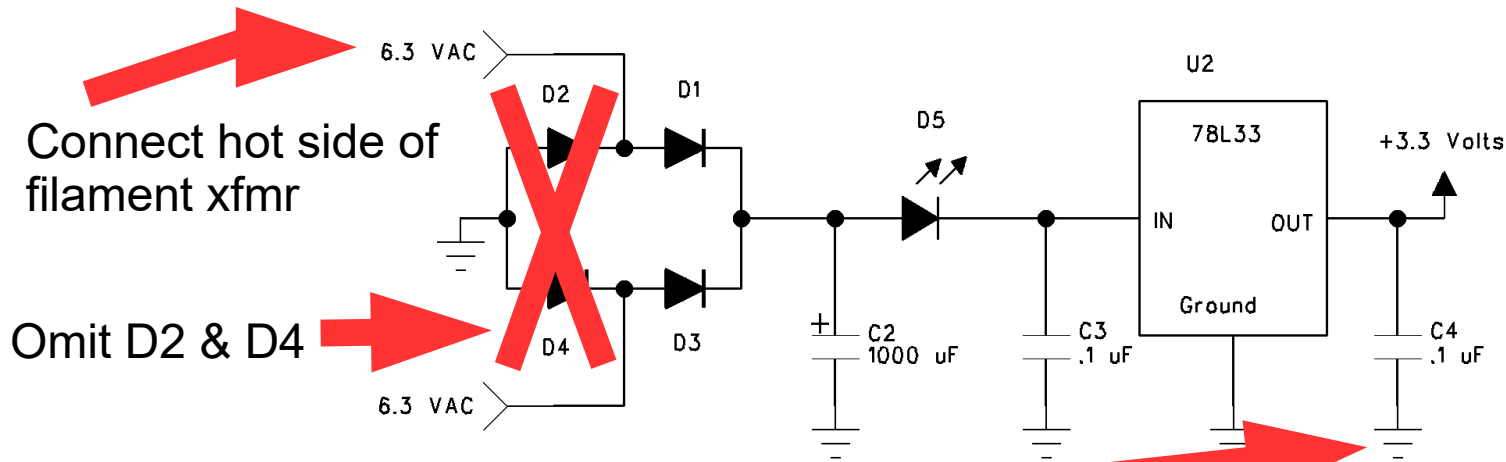


Keyall HV + kit, grounded filament xfmr (transformer) version  
Schematic:

Jackson Harbor Press  
<http://wb9kzy.com>  
[wb9kzy@wb9kzy.com](mailto:wb9kzy@wb9kzy.com)



Connect transmitter ground  
to gnd hole near C4

