

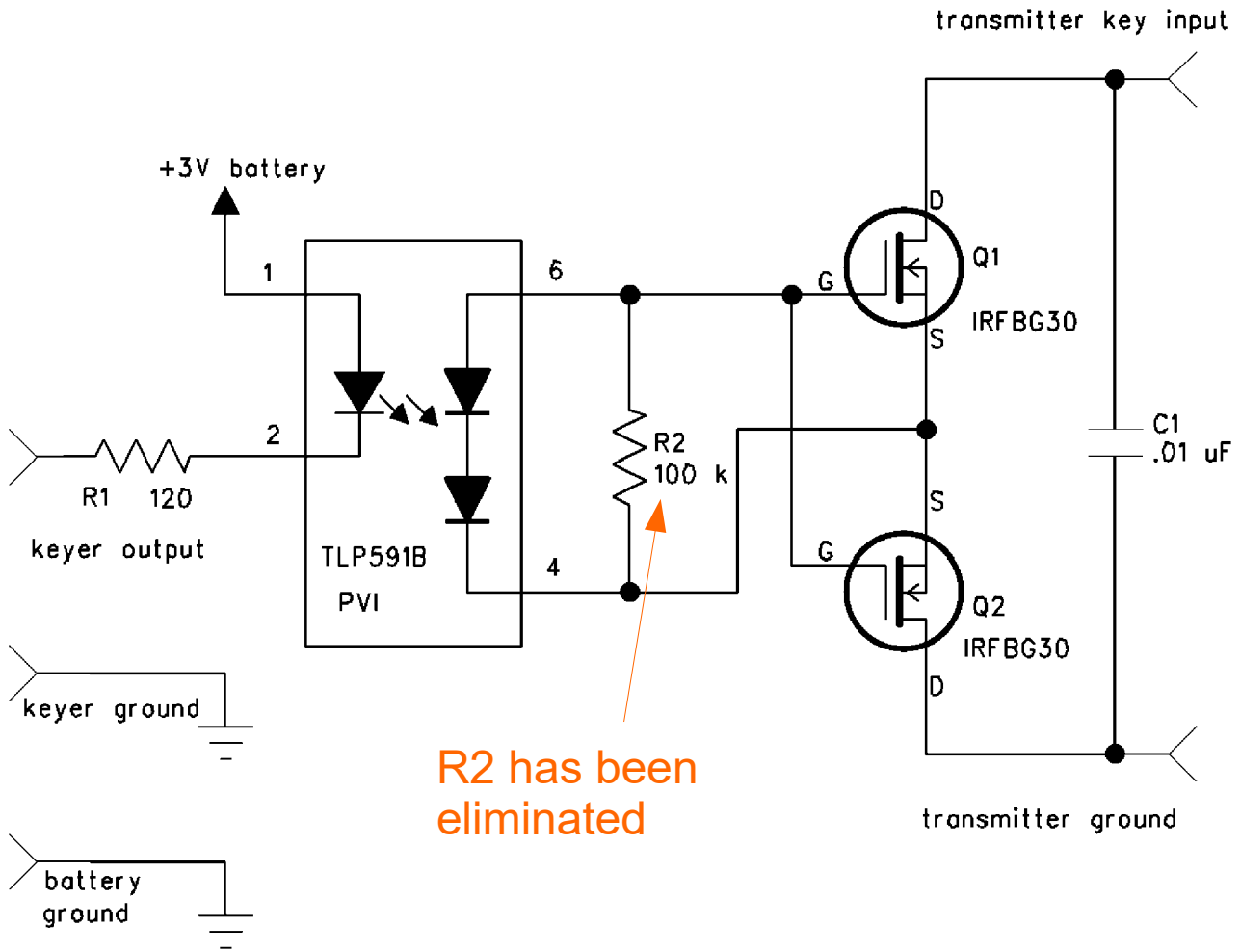
Keyall HV kit

Jackson Harbor Press

<http://wb9kzy.com>

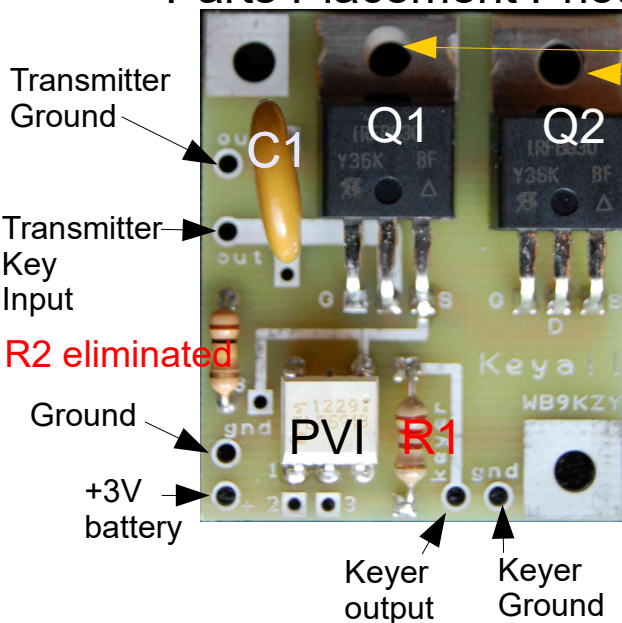
wb9kzy@wb9kzy.com

Schematic:



R2 has been eliminated

Circuit Board Top View
Parts Placement Photo:



Note that both transistor tabs are connected to their respective Drain terminals, they are "live"

Circuit Board
Bottom View Photo:

