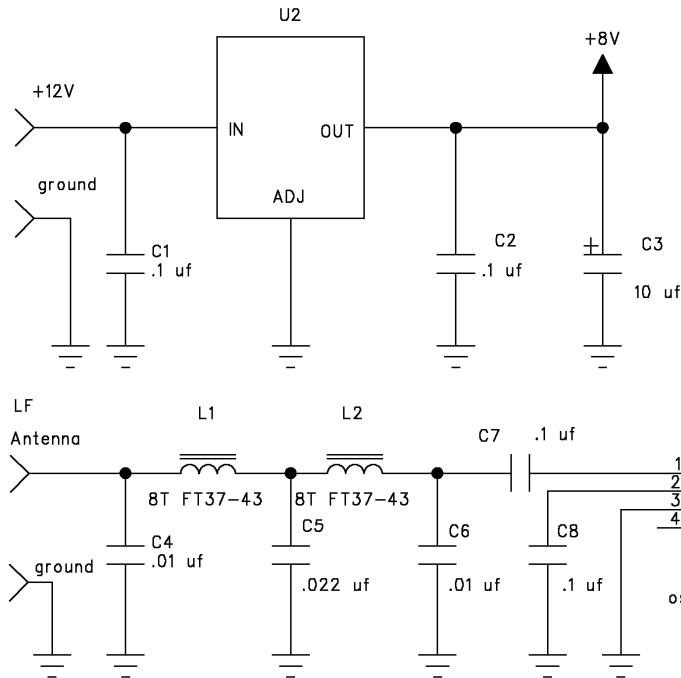
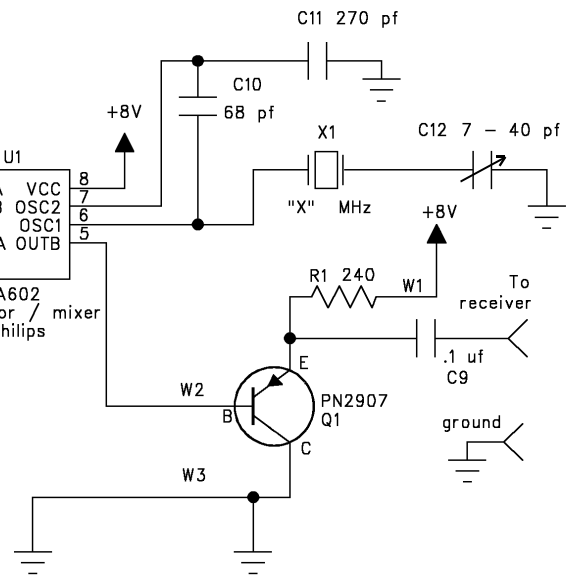


LF Converter Schematic Diagram

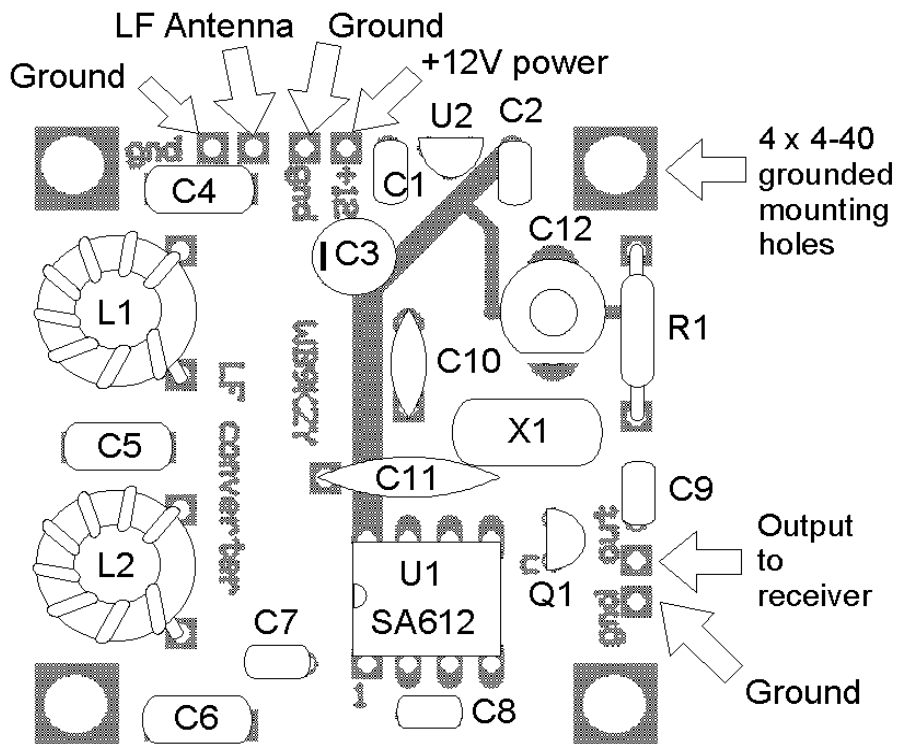


Jackson Harbor Press
 1418 Foss Rd.
 Washington Island, WI 54246
<http://wb9kzy.com>
wb9kzy@wb9kzy.com



Parts Placement Diagram

Top view of circuit boards



Bottom view of circuit board

