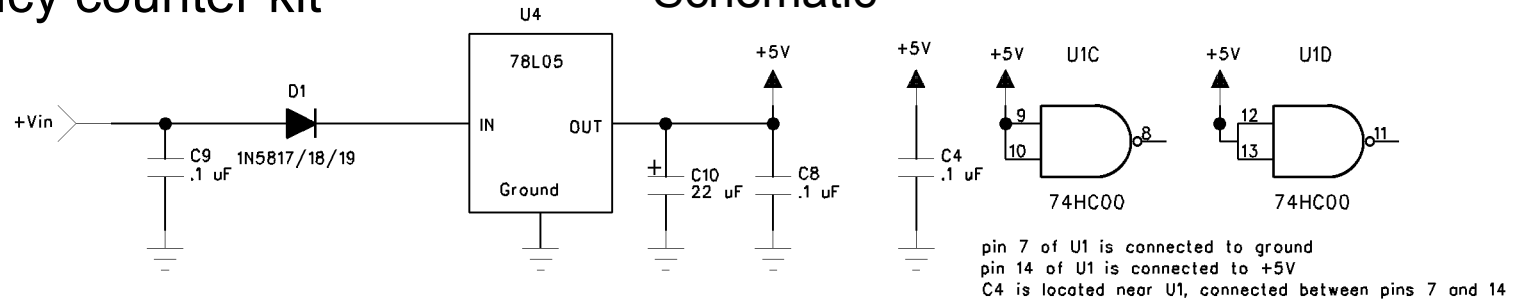
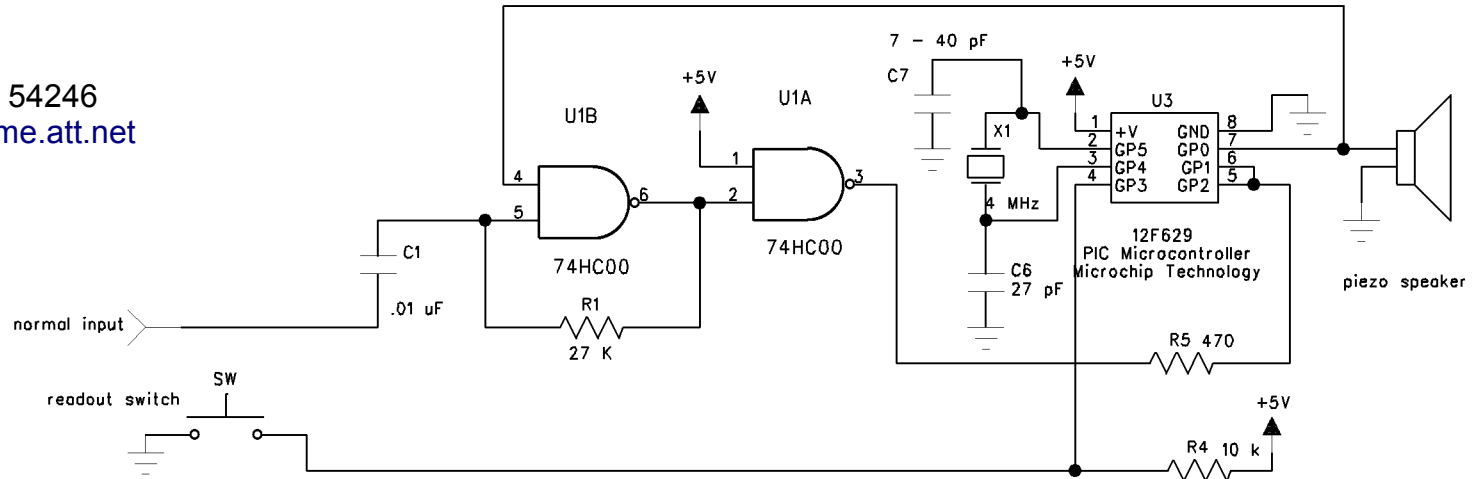


# Mcount2 frequency counter kit

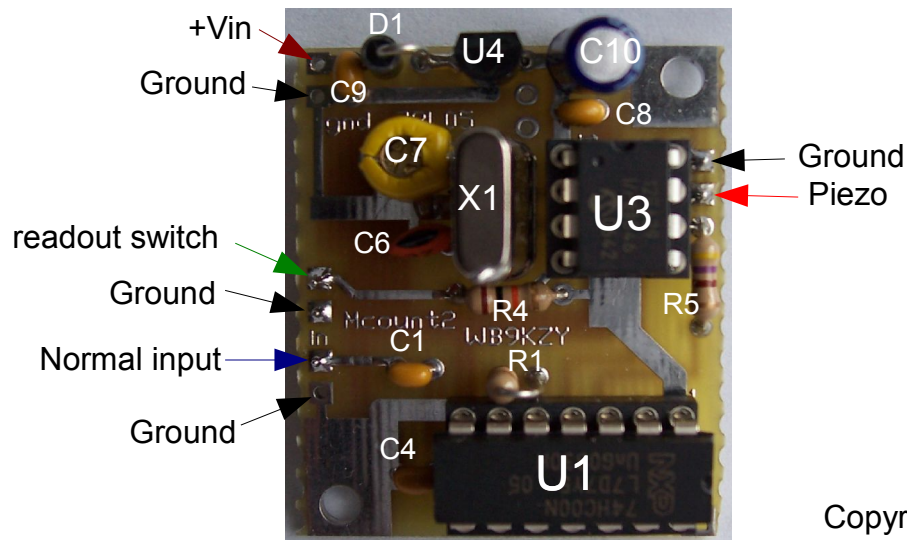
# Schematic



Jackson Harbor Press  
 1418 Foss Rd.  
 Washington Island, WI 54246  
<http://jacksonharbor.home.att.net>  
[jacksonharbor@att.net](mailto:jacksonharbor@att.net)



## Circuit Board Top View – Parts Placement



## Circuit Board Bottom View

