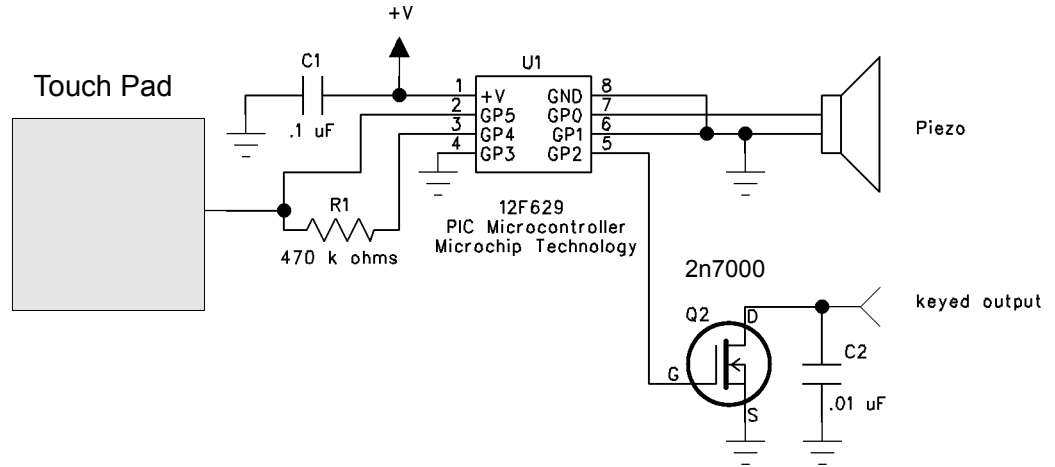


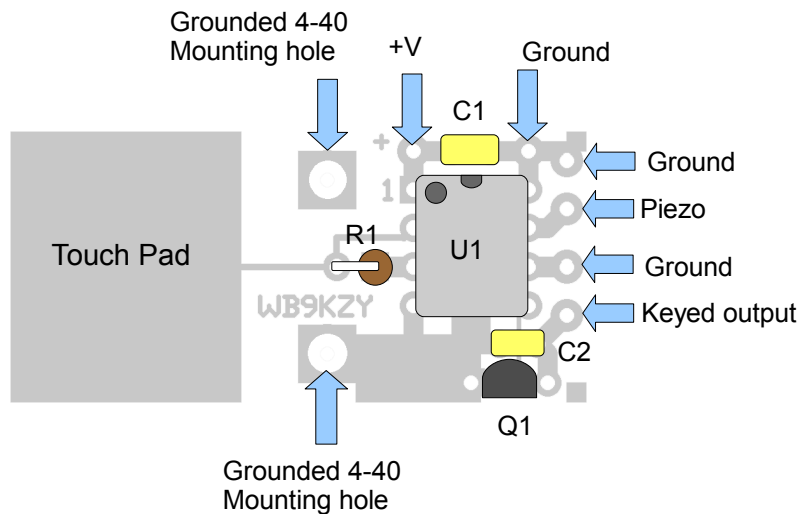
PIC CPO kit

Jackson Harbor Press
 1418 Foss Rd.
 Washington Island, WI 54246
<http://jacksonharbor.home.att.net>
jacksonharbor@att.net

Schematic



Circuit Board Top View – Parts Placement Diagram



Circuit Board Bottom View

