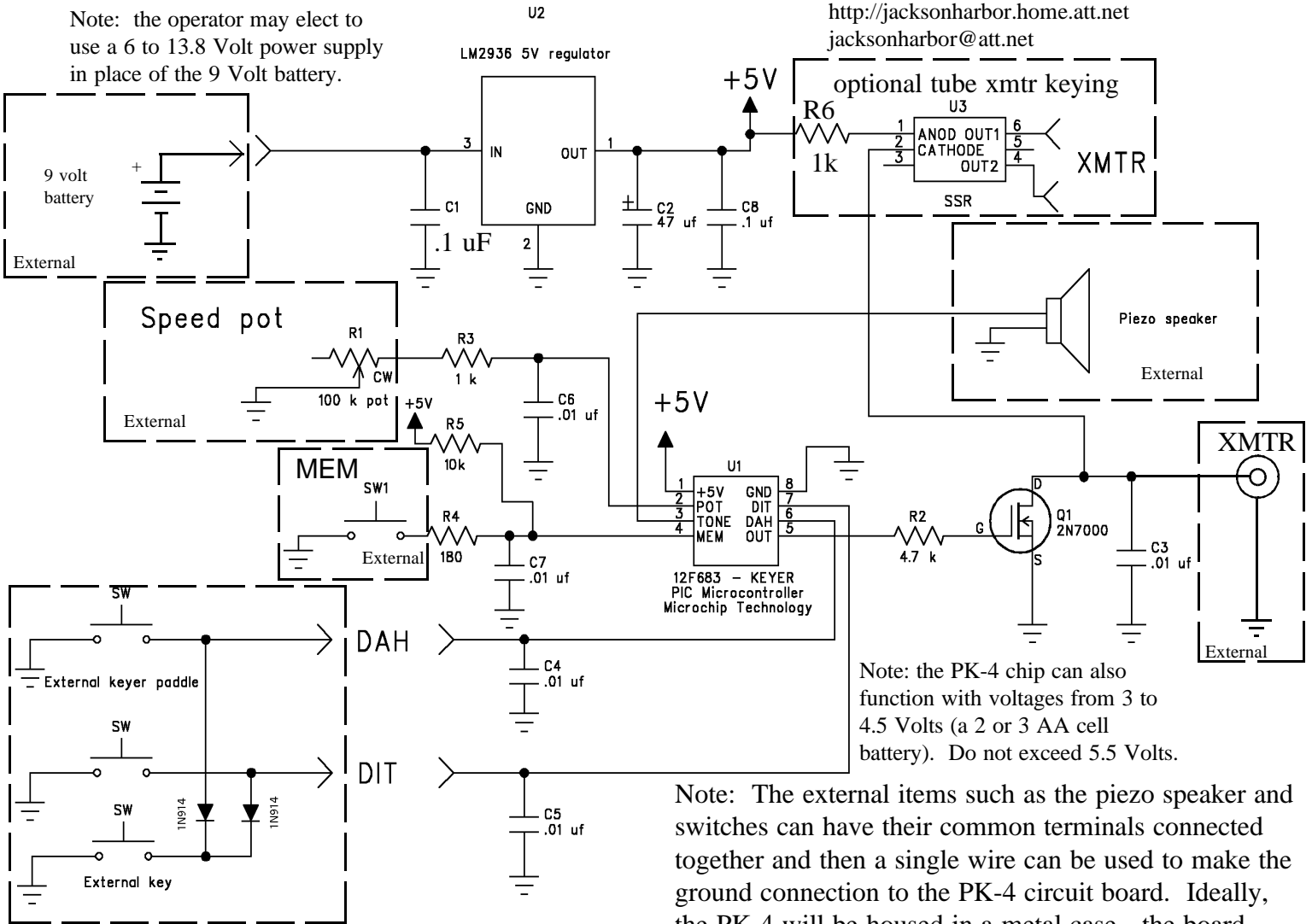


PK-4 Schematic Diagram

Jackson Harbor Press
 RR1, Box 91C
 Washington Island, WI 54246
<http://jacksonharbor.home.att.net>
jacksonharbor@att.net

Note: the operator may elect to use a 6 to 13.8 Volt power supply in place of the 9 Volt battery.

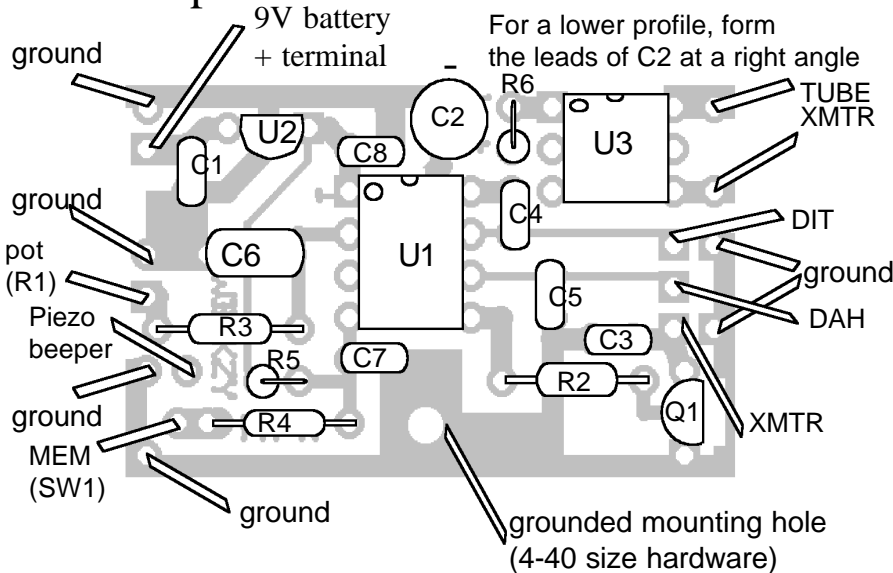


Note: the PK-4 chip can also function with voltages from 3 to 4.5 Volts (a 2 or 3 AA cell battery). Do not exceed 5.5 Volts.

Note: The external items such as the piezo speaker and switches can have their common terminals connected together and then a single wire can be used to make the ground connection to the PK-4 circuit board. Ideally, the PK-4 will be housed in a metal case - the board mounted with a short metal standoff and star washers to insure a good electrical connection to ground.

Parts Placement Diagram

Top View of Circuit Board



Bottom View of Circuit Board

