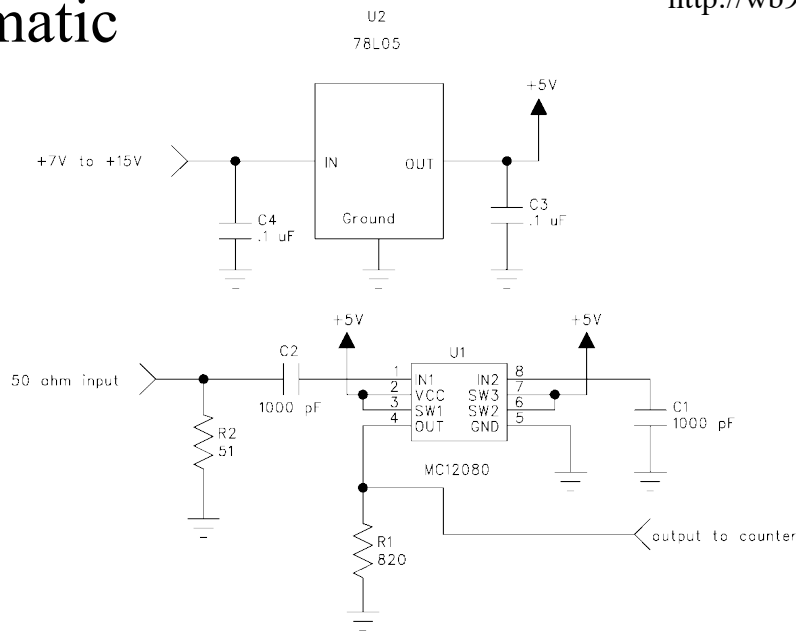
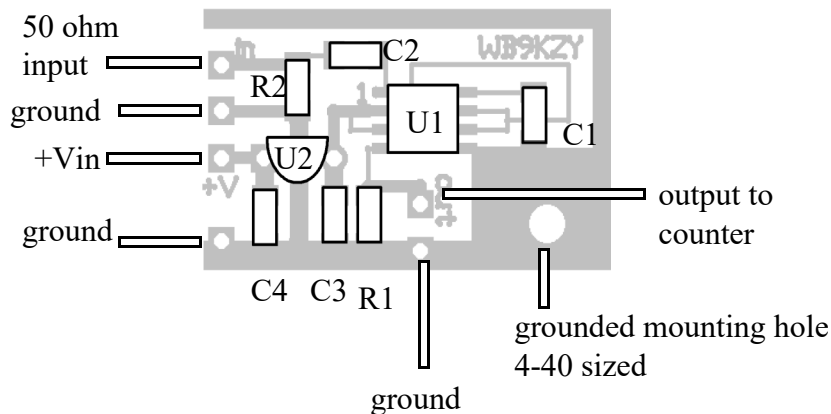


Prescaler Kit Schematic

Jackson Harbor Press
wb9kzy @ wb9kzy . com
<http://wb9kzy.com>



Parts Placement diagram top view circuit board



bottom view circuit board

